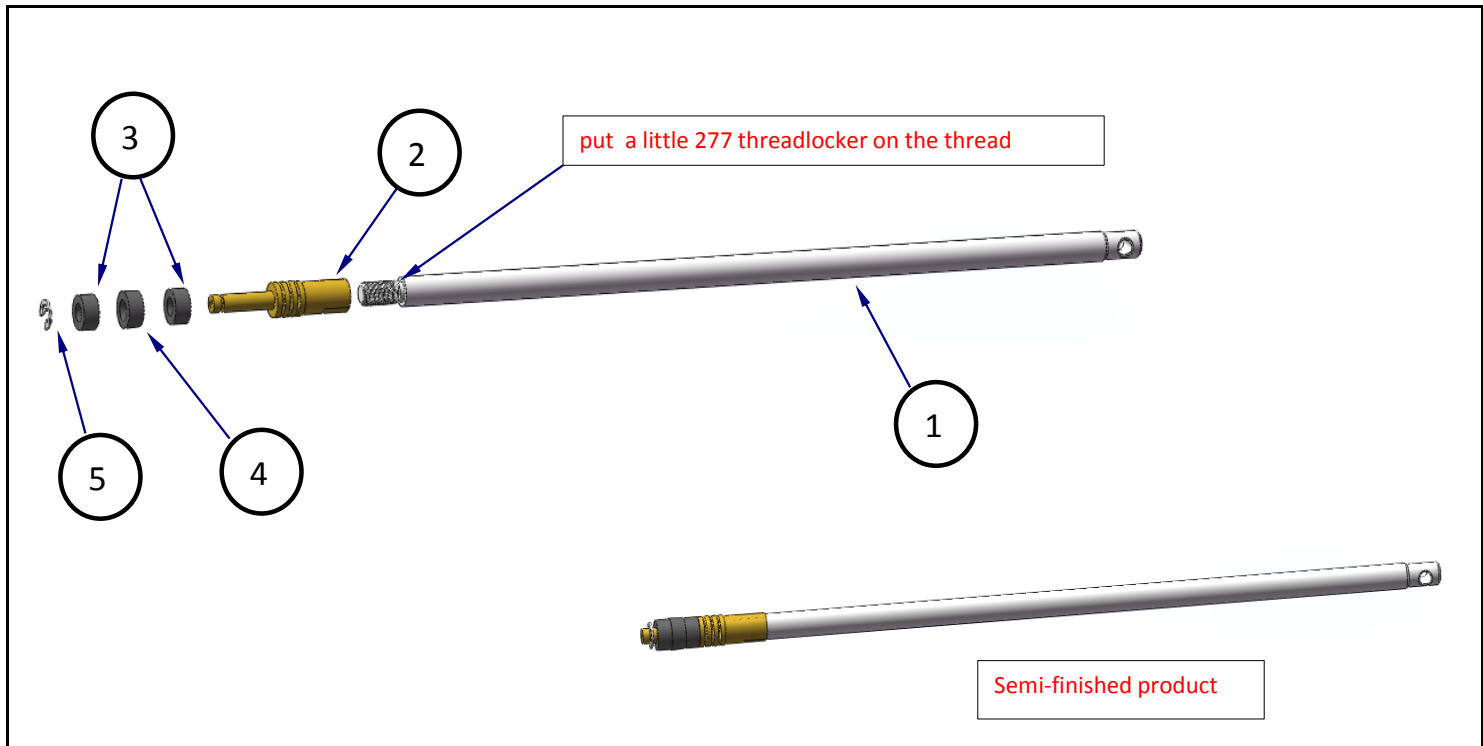
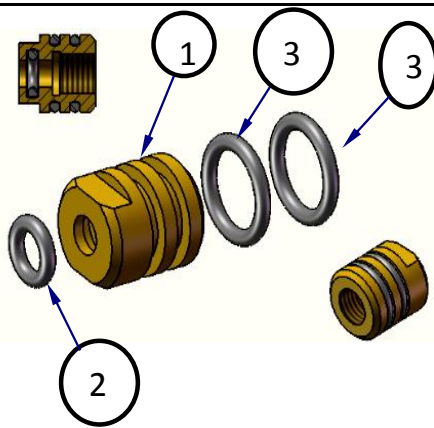
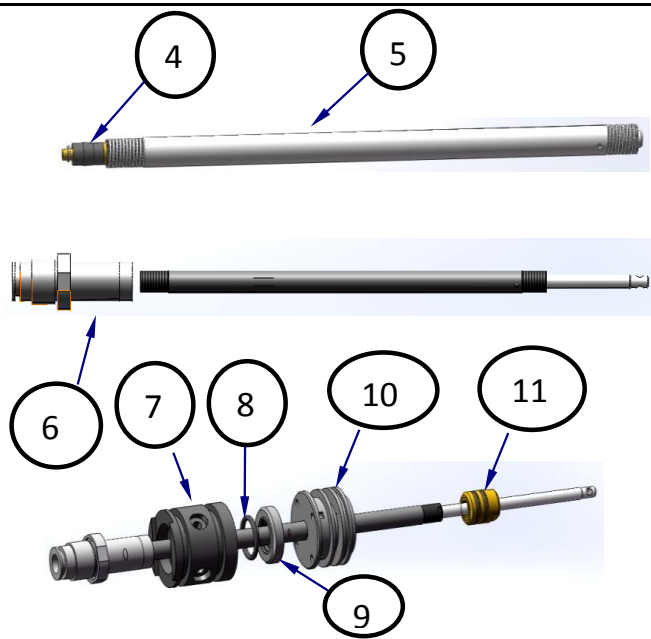


NO	DECRPTIONS	ITEM CODE	QTY	REMARKS
1	Aluminum fixed axle	000P2-216-W-00	1	
2	O-ring $\phi 8 \times \phi 1.5$ hardness 90° JSR	PS-011-X-00	1	
3	O-ring $\phi 10 \times \phi 2$ hardness 90° JSR	000P2-077-X-00	1	
4	O-ring $\phi 15 \times \phi 1.5$ hardness 90° JSR	PS-006-X-00	1	
5	Rear fixed axle	000P2-020-W-00	1	
6	O-ring $\phi 26 \times \phi 3.5$ hardness 90° JSR	000P2-082-X-00	2	
7	Rear movable sleeve	000P2-018-W-01	1	
8	O-ring $\phi 27.5 \times \phi 3.5$ hardness 90° JSR	000P2-078-X-00	1	
9	O-ring $\phi 29 \times \phi 2$ hardness 90° JSR	000P2-080-X-00	1	
10	O-ring $\phi 7.2 \times \phi 2.4$ hardness 90° JSR	000P2-079-X-00	1	
11	O-ring $\phi 16 \times \phi 2$ hardness 90° JSR	000P2-076-X-00	1	
12	Rear movable sleeve sponge ring	000P2-003-U-01	1	



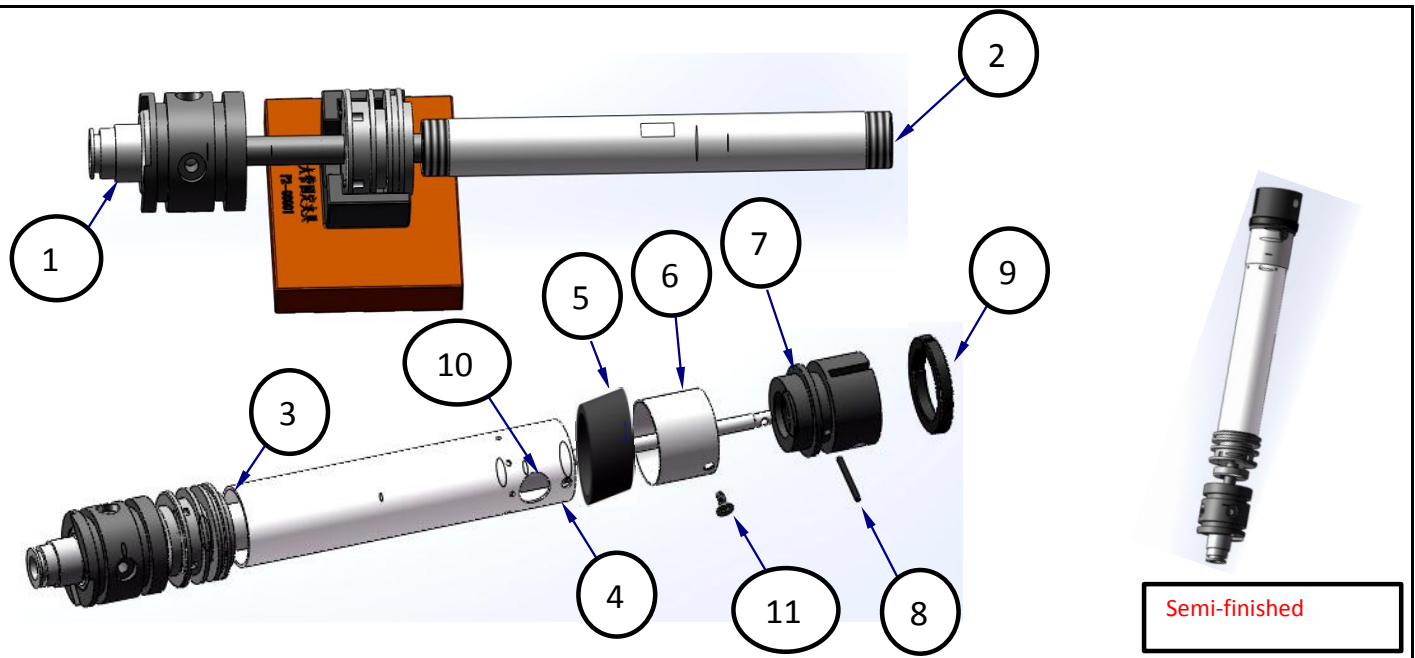
NO	DECRPTIONS	ITEM CODE	QTY	REMARKS
1	Small Piston rod	000P2-017-W-00	1	
2	Small piston head	000P2-024-W-02	1	
3	seal	000P2-213-W-00	2	
4	Small piston head o-ring	000P2-068-X-00	1	
5	clamp spring M2	000P2-190-W-00	1	



put some 222 threadlocker on the thread

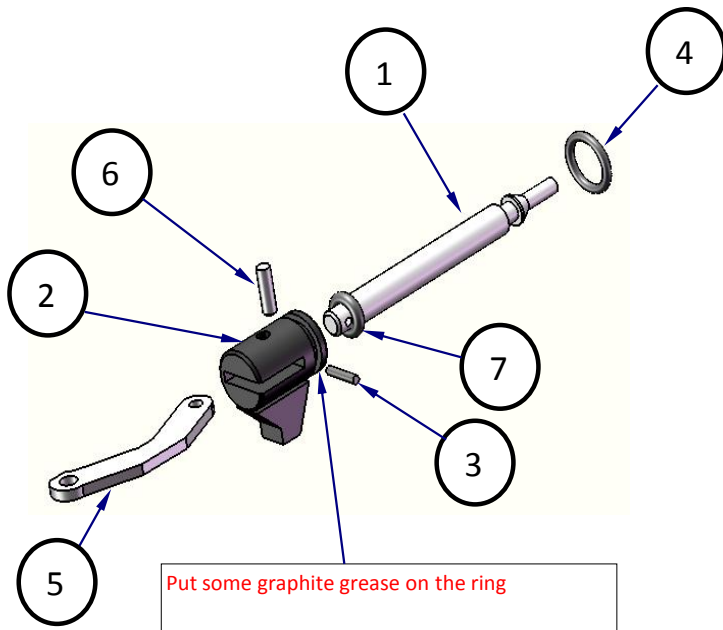
Semi-finished product

NO	DESCRIPTIONS	ITEM CODE	USE QTY	REMARKS
1	Small tube connecting sleeve	000P2-011-W-00	1	
2	NBR O-ring $\phi 10 \times \phi 2$ hardness 90°	000P2-077-X-00	2	
3	NBR O-ring $\phi 5 \times \phi 2$ hardness 90°	PS-009-X-00	1	
4	Small piston semi-finished product	/	1	
5	Small tube	000P2-016-W-00	1	
6	Rear fixed axle semi-finished product	/	1	
7	Rear fixed sleeve semi-finished product	/	1	
8	NBR o-ring $\phi 13 \times \phi 2$ hardness 90°	000P2-075-X-00	1	
9	Rear fixed axle screw	000P2-019-W-00	1	
10	Rear movable sleeve semi-finished product	/	1	
11	Small tube connecting sleeve semi-finished product	/	1	



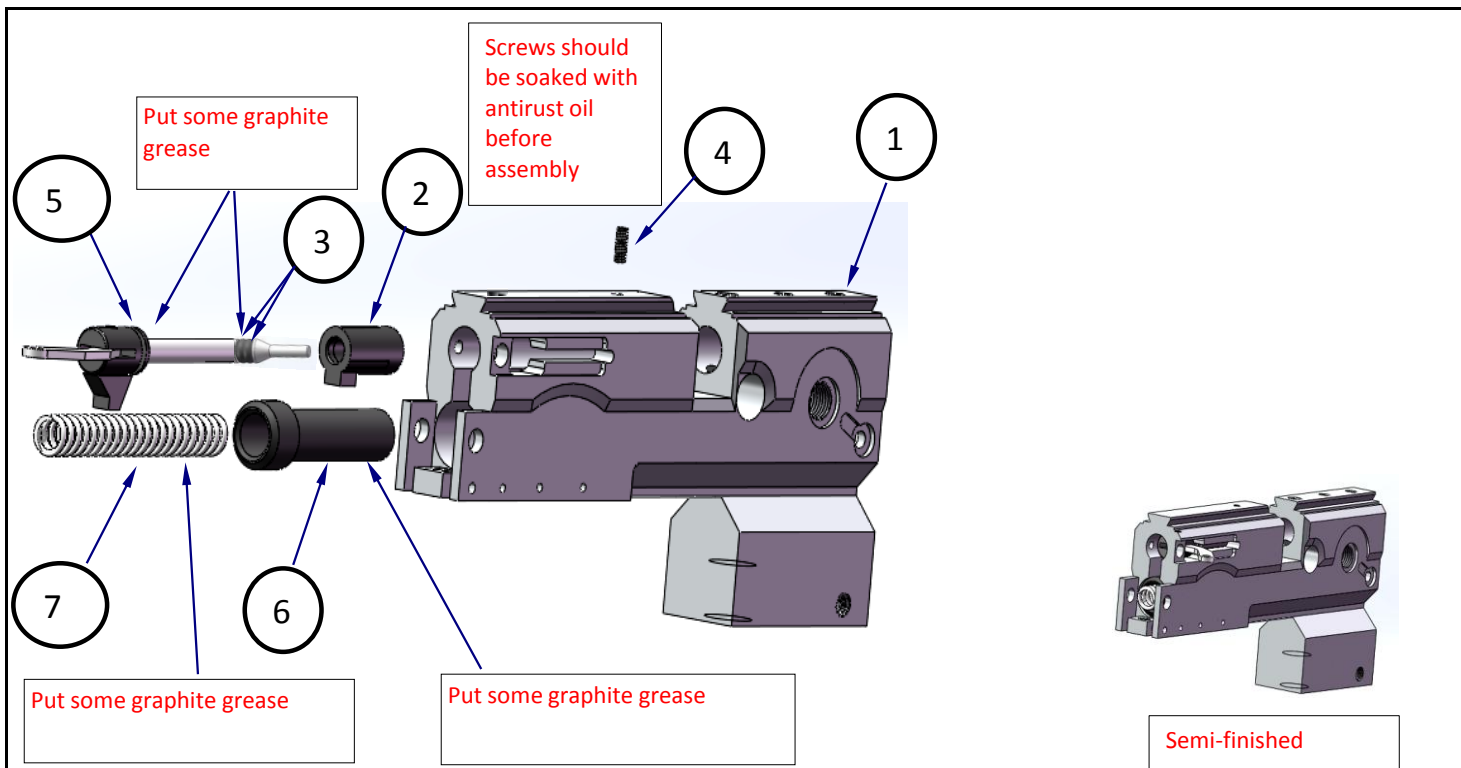
Semi-finished

NO	DESCRIPTIONS	ITEM CODE	USE QTY	REMARKS
1	Small tube assembly	/	1	
2	tube	000P2-015-W-00	1	
3	NBR o-ring $\phi 1.5 \times \phi 25$ hardness 70°	000P2-024-X-00	1	
4	Desiccant tube	000P2-177-W-00	1	
5	Air filter element	000P2-004-U-00	1	
6	Desiccant tube plug	000P2-178-W-00	1	
7	Front movable sleeve	000P2-010-W-00	1	
8	Front movable sleeve pin	000P2-025-W-00	1	
9	Front movable sleeve support ring	000P2-001-S-00	1	
10	desiccant	000P2-030-W-00	35g	
11	Flat head allen screw M3×5	000P2-032-W-00	1	
	Internal Pump Set (semi-finished)			

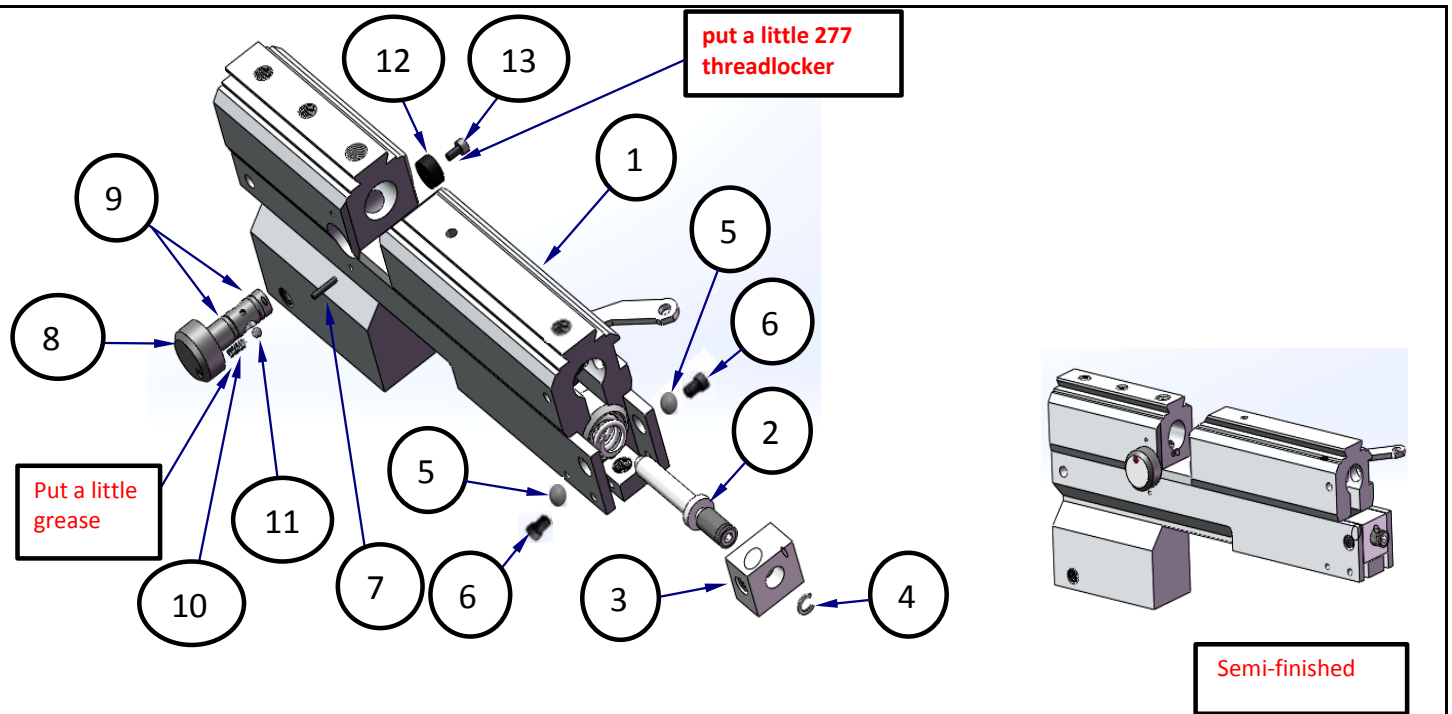


Semi-finished product

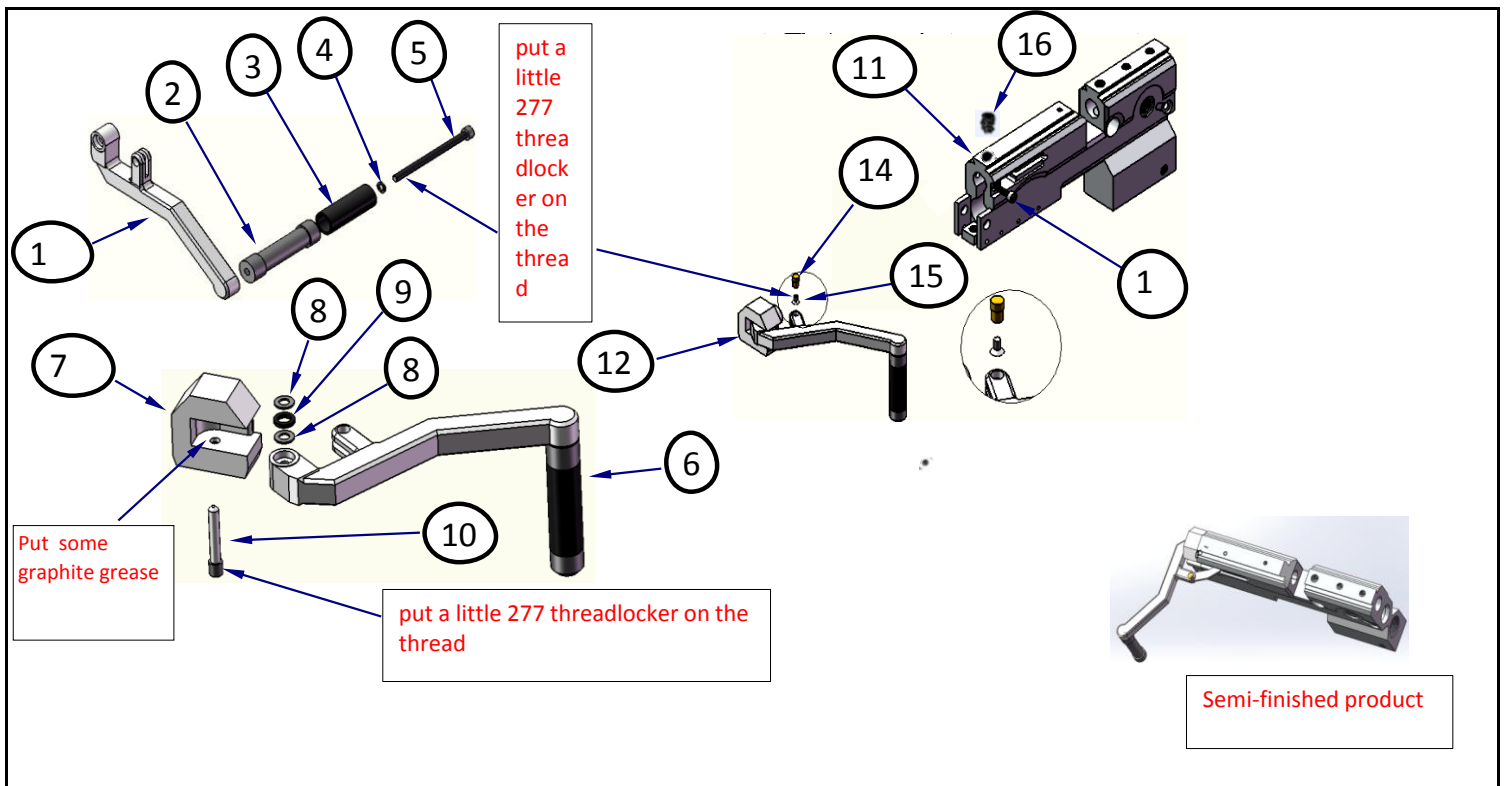
NO	DESCRIPTION	ITEM CODE	USE QTY	REMARKS
1	Pellet probe 4.5mm	000P2-058-W-00	1	FOR 4.5MM
1	Pellet probe 5.5mm	000P1-028-W-00	1	FOR 5.5MM
1	Pellet probe 6.35mm	000P1-084-W-00	1	FOR 6.35MM
2	Pellet probe seat	000P2-182-W-00	1	
3	Pellet probe seat pin $\phi 1.5 \times 7$	000P2-064-W-00	1	
4	NBR o-ring $\phi 8 \times \phi 1.5$ hardness 90°	PS-011-X-00	1	
5	Side lever action connecting rod	000P2-061-W-01	1	
6	Side lever action connecting rod front pin	000P2-183-W-00	1	
7	NBR o-ring $\phi 5 \times \phi 2.5$ hardness 90°	PS-002-X-00	1	



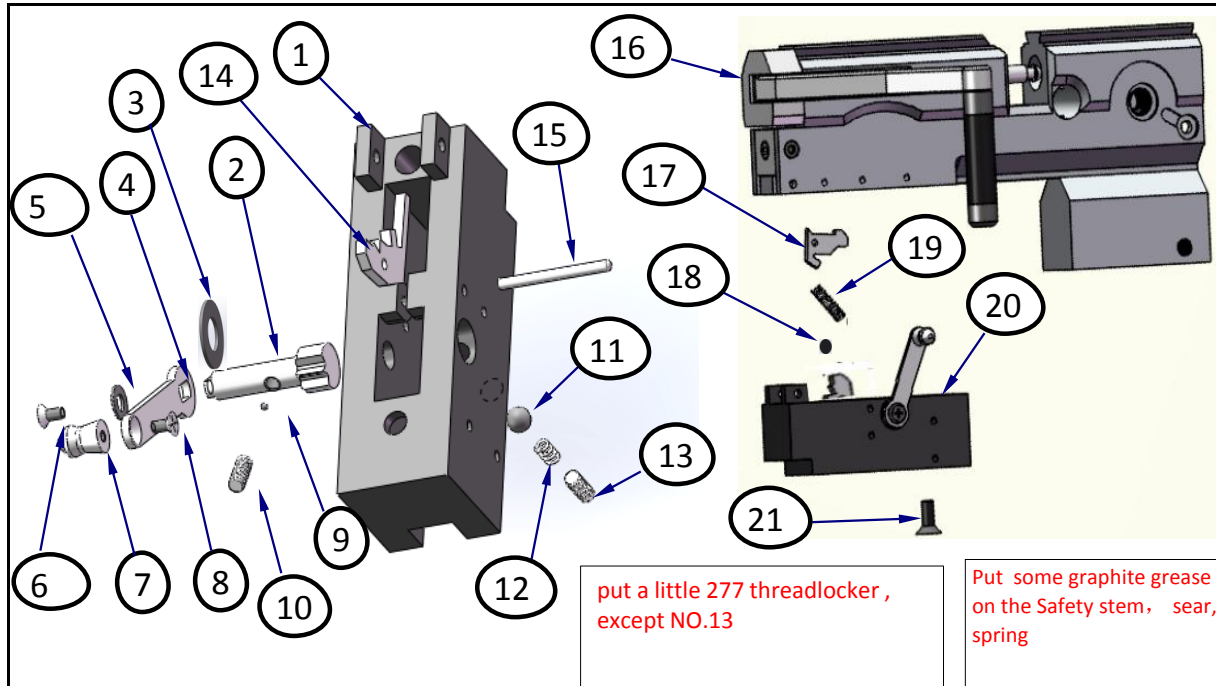
NO	DESCRIPTIONS	ITEM CODE	USE QTY	REMARKS
1	Aluminum valve body	/	1	
2	Pellet probe sleeve for 4.5mm	000P2-025-S-01	1	FOR 4.5MM
2	Pellet probe sleeve for 5.5mm	000P1-008-S-01	1	FOR 5.5MM
2	Pellet probe sleeve for 6.5mm	000P1-083-S-00	1	FOR 6.35MM
3	HPA2-4 O ring for 4.5mm	0PCP1-001-X-00	2	FOR 4.5MM
3	NBR o-ring $\phi 2.5 \times \phi 1.5$ hardness 90°	PS-012-X-00	2	FOR 5.5MM
3	NBR o-ring $\phi 3 \times \phi 1.5$ hardness 90°	PS-010-X-00	2	FOR 6.35MM
4	Pellet probe semi-finished product	/	1	
5	Cone point allen screw M3×8	000P2-185-W-00	1	
6	P1 P2 Hammer	000P1-059-W-00	1	
7	P2 Hammer spring for 6.35mm	000P2-205-W-00	1	



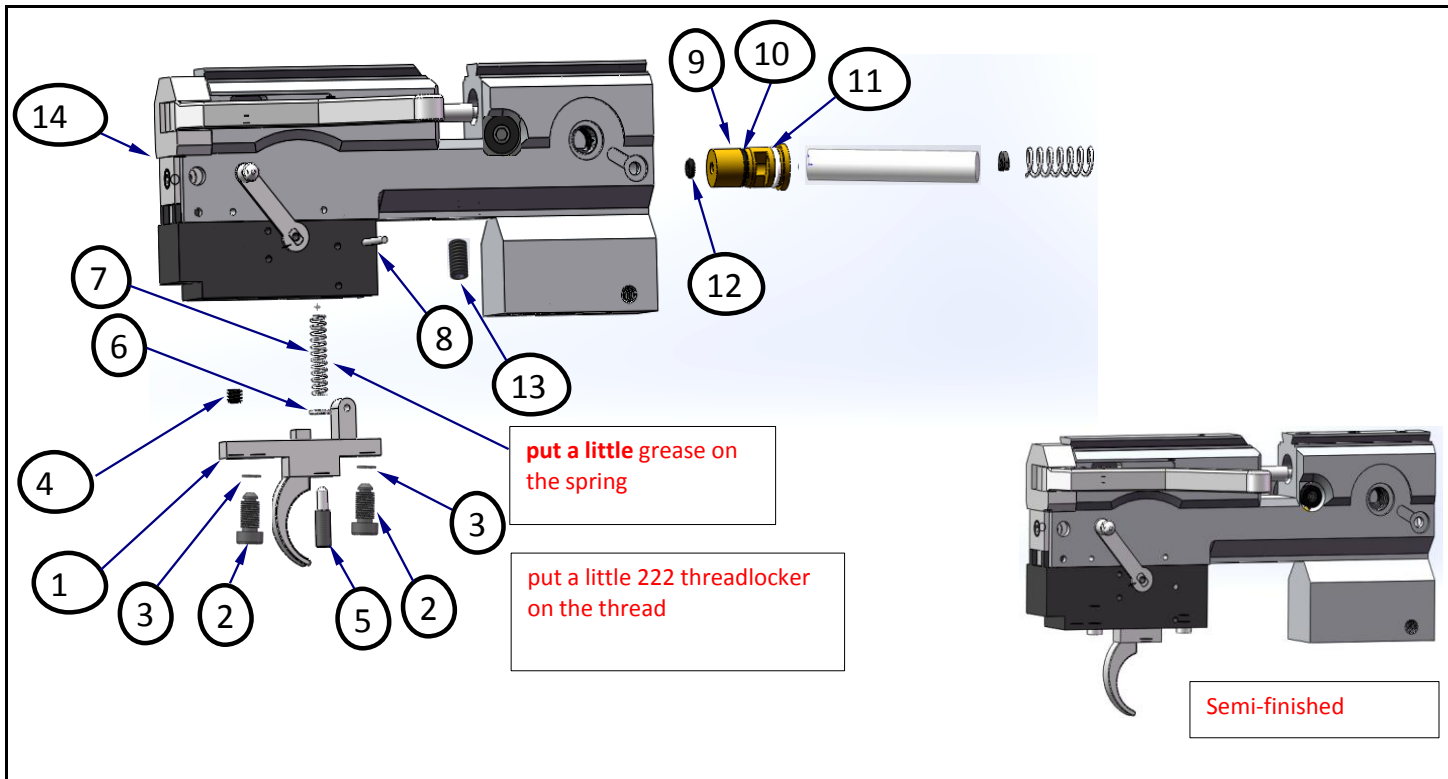
NO	DESCRIPTION	ITEM CODE	USE QTY	REMARKS
1	Side lever action semi-finished product alumin	/	1	
2	Hammer spring adjustment screw	000P2-174-W-00	1	
3	Cocking bracket 2	000P2-007-S-00	1	
4	Hammer spring adjustment screw clamp spring	000P2-154-W-00	1	
5	Ball TPU90°	TPU392-90	2	
6	Allen screw M3×4	000P2-052-W-00	2	
7	steel pin	000P1-027-W-01	1	
8	power adjustment valve stem for 4.5mm		1	
8	power adjustment valve stem for 5.5mm		1	
8	power adjustment valve stem for 6.35mm	000P2-045-W-00	1	
9	NBR o-ring φ4 Xφ1.5 hardness 90°	PS-013-X-00	2	
10	Power adjustment valve spring	000P2-045-W-00	1	
11	Bearing steel ball φ2.5	000P2-136-W-00	1	
12	Power adjustment valve washer	000P2-005-S-00	1	
13	Round head allen screw M2X4	000P2-042-W-00	1	



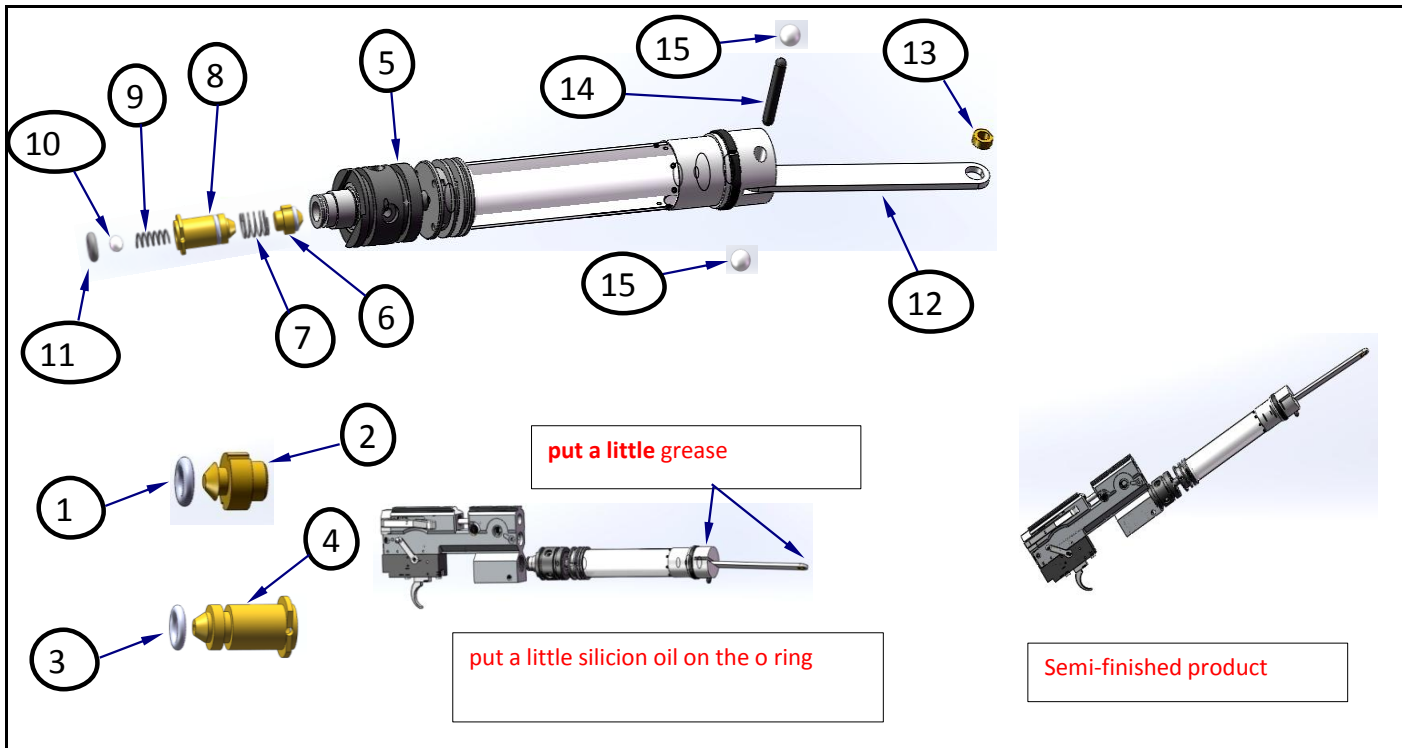
NO	DESCRIPTIONS	ITEM CODE	USE QTY	REMARKS
1	side lever action pull rod (vertical)	000P2-063-W-00	1	
2	Side lever action handle	000P2-133-W-00	1	
3	Side lever action handle sleeve	000P2-040-X-00	1	
4	Standard spring washer M3	000P2-135-W-00	1	
5	Round head allen screw M3×45	000P2-134-W-00	1	
6	side lever action pull rod semi-finished product	/	1	
7	3.0 Cocking bracket 1	000P2-082-W-01	1	
8	Small flat washer M3	000P2-066-W-00	2	
9	Standard spring washer M4	000P2-067-W-00	1	
10	Cocking bracket 1 vertical pin	000P2-084-W-00	1	
11	Aluminum valve body semi-finished product	/	1	
12	Side lever action pull rod semi-finished product	/	1	
13	Round head allen screw M3*13	000P1-065-W-00	1	
14	Connecting rod rear screw	000P2-062-W-00	1	
15	Flat head philips screw	000P2-065-W-00	1	
16	Cone point allen screw M5X8	000P2-038-W-00	1	



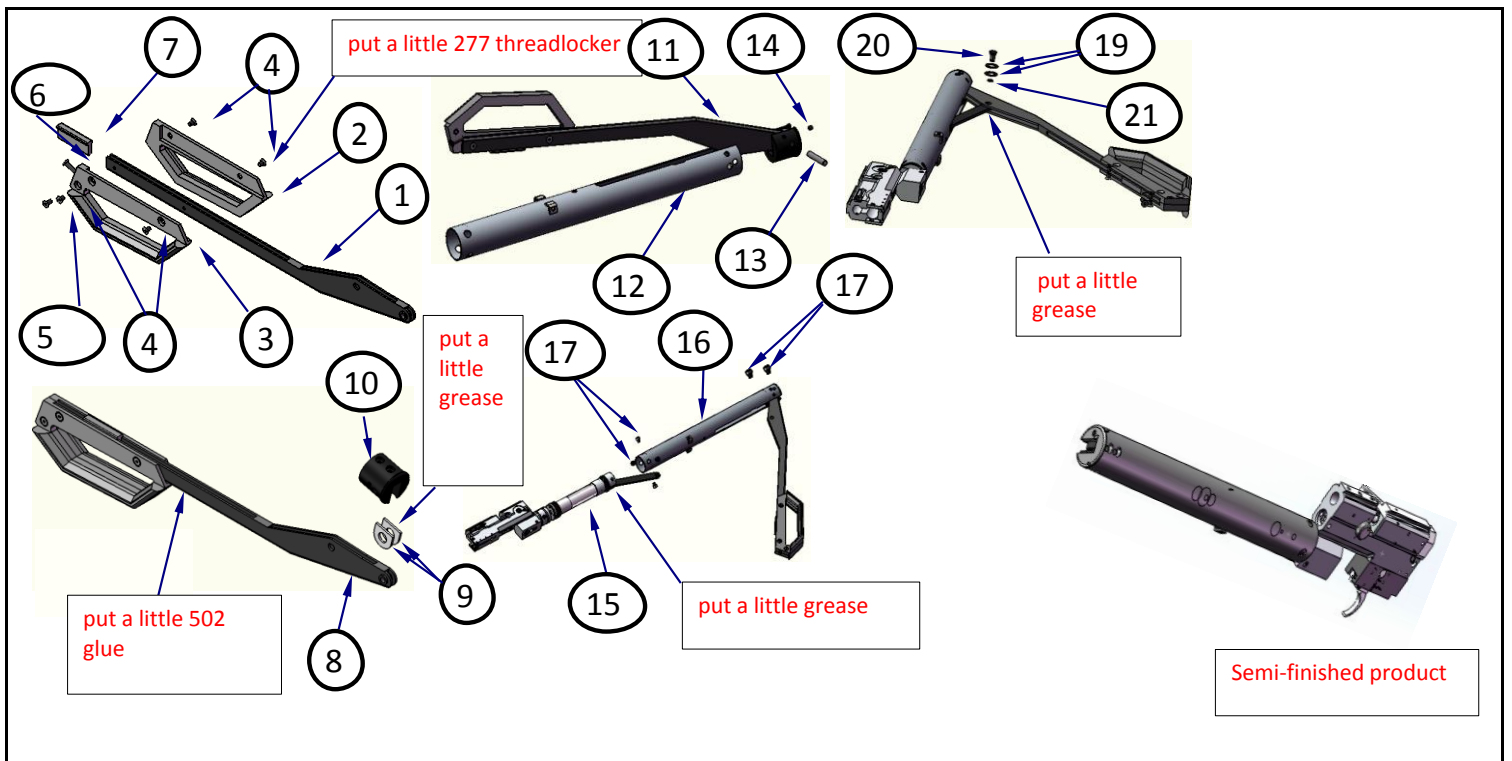
NO	DESCRIPTIONS	ITEM CODE	USE QTY	REMARKS
1	Cocking bracket 3	000P2-008-S-01	1	
2	Safety stem	000P2-073-W-00	1	
3	Safety washer	000P2-160-W-00	1	
4	Safety rod	000P2-069-W-00	1	
5	Flat washer (M3)	000P2-066-W-00	1	
6	Flat head philips screw M2X5	000P2-070-W-00	1	
7	Safety knob	000P2-068-W-00	1	
8	Flat head philips screw M2X5	000P2-070-W-00	1	
9	Bearing steel ball ϕ 1.2	000P2-162-W-00	1	
10	Flat point allen screw M3 \times 10	000P2-089-W-00	1	
11	Bearing steel ball ϕ 4.4	000P2-163-W-00	1	
12	Safety spring	000P2-071-W-00	1	
13	Flat point allen screw M5 \times 5	000P2-155-W-00	1	
14	Trigger iron	000P2-080-W-00	1	
15	Aluminum valve body horizontal pin 1		1	
16	Aluminum valve body semi-finished product	/	1	
17	Sear	000P2-081-W-00	1	
18	pin 1		1	
19	Sear spring	000P2-159-W-00	1	
20	Safety semi-finished product	/	1	
21	Flat head allen screw M4 \times 8	000P2-076-W-00	1	



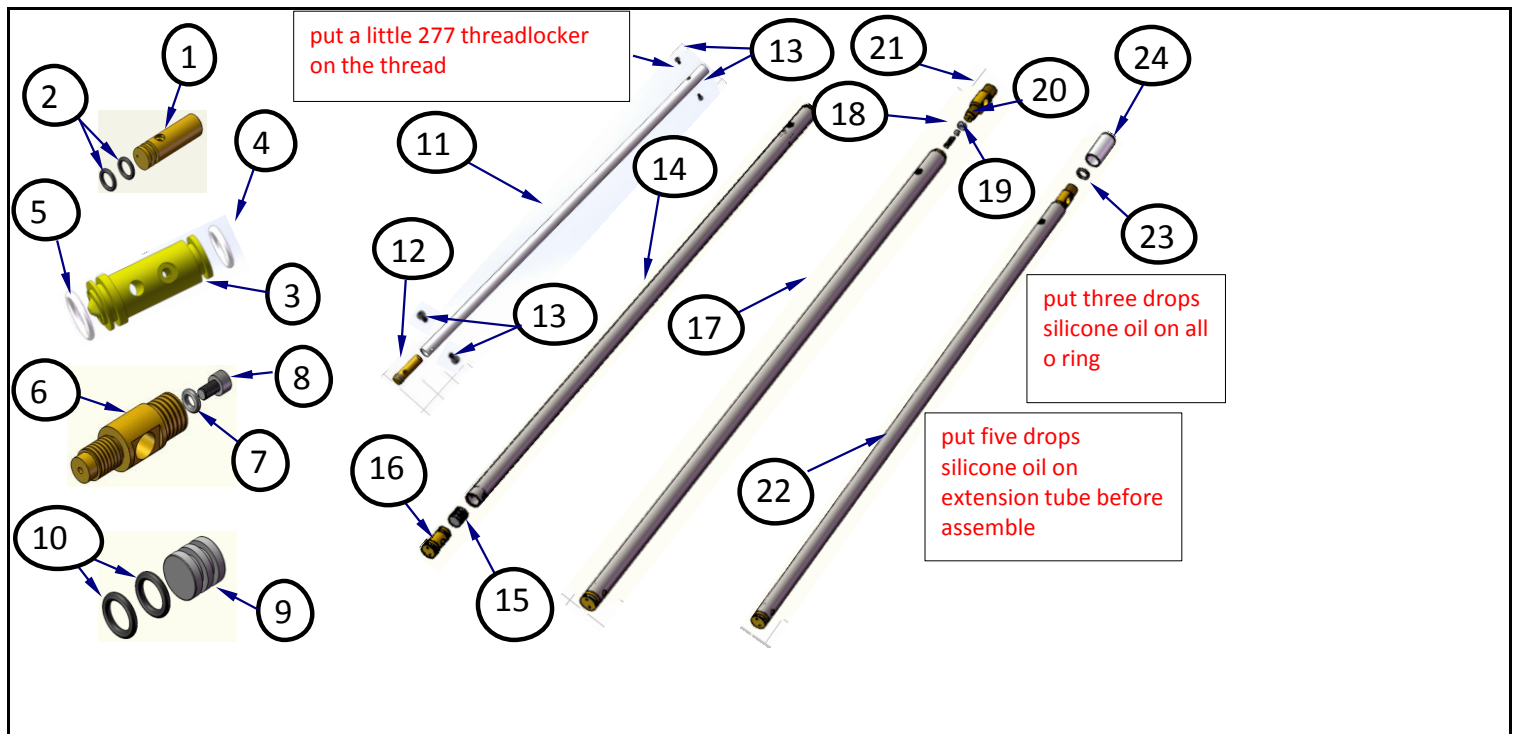
NO	DESCRIPTION	ITEM CODE	USE QTY	REMARKS
1	Trigger	000P2-074-W-00	1	
2	Trigger bracket adjustment screw 2	000P2-088-W-01	2	
3	Clamp spring	000P2-193-W-00	2	
4	Flat point allen screw M5X4	000P2-161-W-00	1	
5	Trigger pull adjustment screw	000P2-144-W-00	1	
6	Trigger pull adjustment flat washer	000P2-143-W-00	1	
7	Trigger spring	000P2-158-W-00	1	
8	Pin 1	000P2-091-W-00	1	
9	Air release valve sleeve	000P2-125-W-00	1	
10	NBR o-ring $\phi 8 \times \phi 1.5$ hardness 90°	PS-011-X-00	1	
11	NBR o-ring $\phi 8 \times \phi 2$ hardness 90°	000P2-065-X-00	1	
12	NBR o-ring $\phi 3 \times \phi 1.5$ hardness 90°	PS-010-X-00	1	
13	Cone point allen screw M4X8	000P2-059-W-00	1	



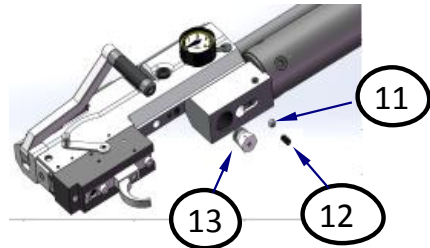
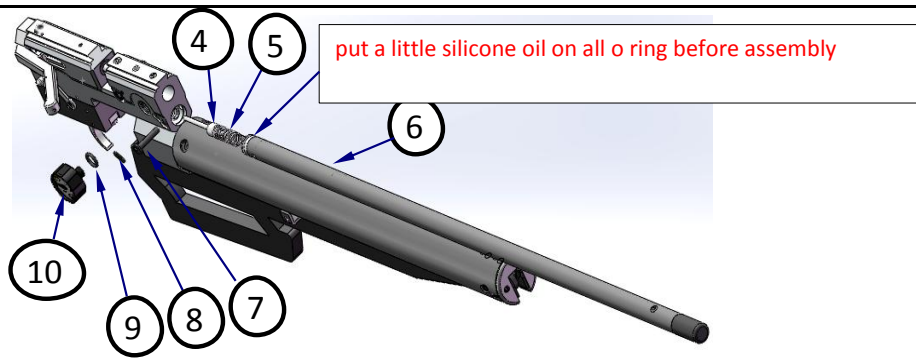
NO	DESCRIPTIONS	ITEM CODE	USE QTY	REMARKS
1	O-ring $\phi 3 \times \phi 1.5$ hardness 90°JSR	PS-010-X-00	1	
2		000P2-214-W-00	1	
3	NBR O-ring $\phi 3 \times \phi 1.5$ hardness 90°	PS-013-X-00	1	
4		000P2-217-W-00	1	
5	Pump semi-finished product	/	1	
6		/	1	
7	Small spring	000P2-215-W-00	1	
8	Check valve copper sleeve 2	/	1	
9	Air reservoir front plug check valve spring	000P2-179-W-00	1	
10	Bearing steel ball	000P2-054-W-00	1	
11	NBR o-ring $\phi 2.5 \times \phi 2.5$ hardness 90°	PS-014-X-00	1	
12	Connecting rod	000P2-007-W-00	1	
13	Connecting rod copper sleeve	000P2-006-W-00	1	
14	Connecting rod rear pin	000P2-008-W-00	1	
15	POM ball	000P2-218-W-00	2	



NO	DESCRIPTIONS	ITEM CODE	USE QTY	REMARKS
1	Pump handle	000P2-004-W-00	1	
2	Left handle P2	000P2-013-S-00	1	
3	Right handle P2	000P2-014-S-00	1	
4	Flat head allen screw M4×6	000P2-112-W-00	4	
5	Flat head allen screw M4×8	000P2-076-W-00	1	
6	Flat head allen screw M4×16	000P2-113-W-00	1	
7	Pump handle cushion rubber	000P2-058-X-00	1	
8	Pump handle semi-finished product	/	1	
9	Pump handle washer	000P2-034-W-00	1	
10	Air reservoir front fixed sleeve	000P2-001-W-00	1	
11	Pump handle semi-finished product	/	1	
12	Big tube	000P2-037-Z-00	1	
13	Big tube pin	000P2-003-W-00	1	
14	Cone point allen screw M4×8	000P2-059-W-00	1	
15	Pump semi-finished product	/	1	
16	Pump handle semi-finished product	/	1	
17	Allen screw M5×6	000P2-033-W-00	6	
19	Connecting rod washer	000P2-028-W-00	2	
20	Connecting rod front pin	000P2-005-W-00	1	
21	Clamp spring smap washer type-E	642258-009-W-00	1	

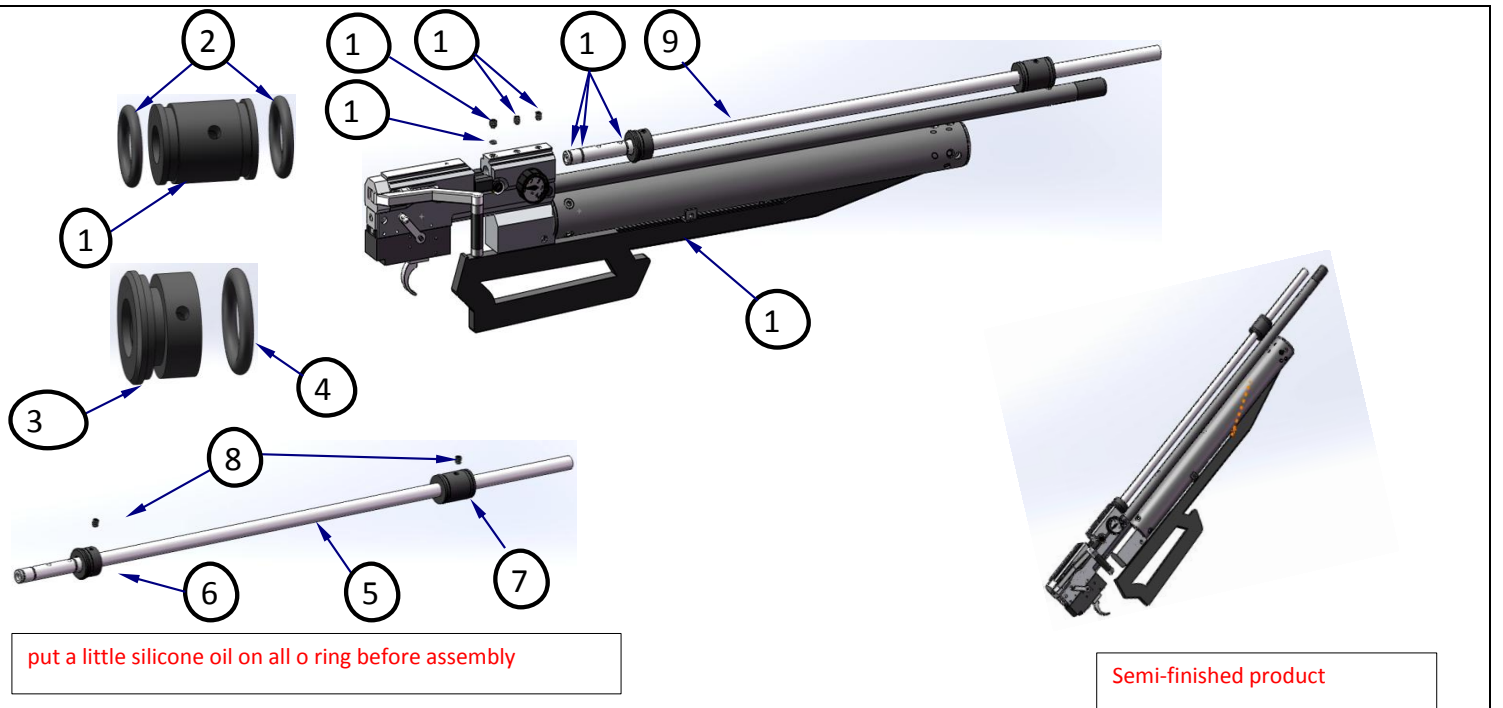


NO	DESCRIPTIONS	ITEM CODE	USE QTY	REMARKS
1	Air chamber extension tube front connector	000P2-051-W-00	1	
2	NBR O-ring $\phi 8 \times \phi 2$ hardness 90°	000P2-065-X-00	2	
3	Air chamber extension tube rear connector	000P2-046-W-01	1	
4	NBR O-ring $\phi 8 \times \phi 2$ hardness 90°	000P2-065-X-00	1	
5	NBR O-ring $\phi 10 \times \phi 2$ hardness 90°	000P2-077-X-00	1	
6	Air chamber extension tube check valve fixed axle	000P2-055-W-00	1	
7	NBR O-ring $\phi 3 \times \phi 1.5$ hardness 90°	PS-010-X-00	1	
8	Screw M3x4	000P2-054-W-00	1	
9	Air chamber extension tube Piston	000P2-050-W-00	1	
10	NBR O-ring $\phi 8 \times \phi 2$ hardness 90°	000P2-065-X-00	2	
11	Air chamber extension tube	000P2-049-W-01	1	
12	Air chamber extension tube rear connector semi-finished product	/	1	
13	Allen screw M3x4	000P2-052-W-00	4	
14	Air chamber extension tube semi-finished product	/	1	
15	Air chamber extension tube Piston semi-finished product	/	1	
16	Air chamber extension tube rear connector semi-finished product	/	1	
17	Air chamber extension tube semi-finished product	/	1	
18	Check valve spring (new)	000P2-179-W-00	1	
19	Steel ball $\phi 4$	000P2-054-W-00	1	
20	NBR O-ring $\phi 2.5 \times \phi 2.5$ hardness 90°	PS-014-X-00	1	
21	Air chamber extension tube check valve fixed axle semi-finished product	/	1	
22	Air chamber extension tube semi-finished product	/	1	
23	NBR O-ring $\phi 8 \times \phi 2$ hardness 90°	000P2-065-X-00	1	
24	Air chamber extension tube air inlet cap	000P2-056-W-00	1	

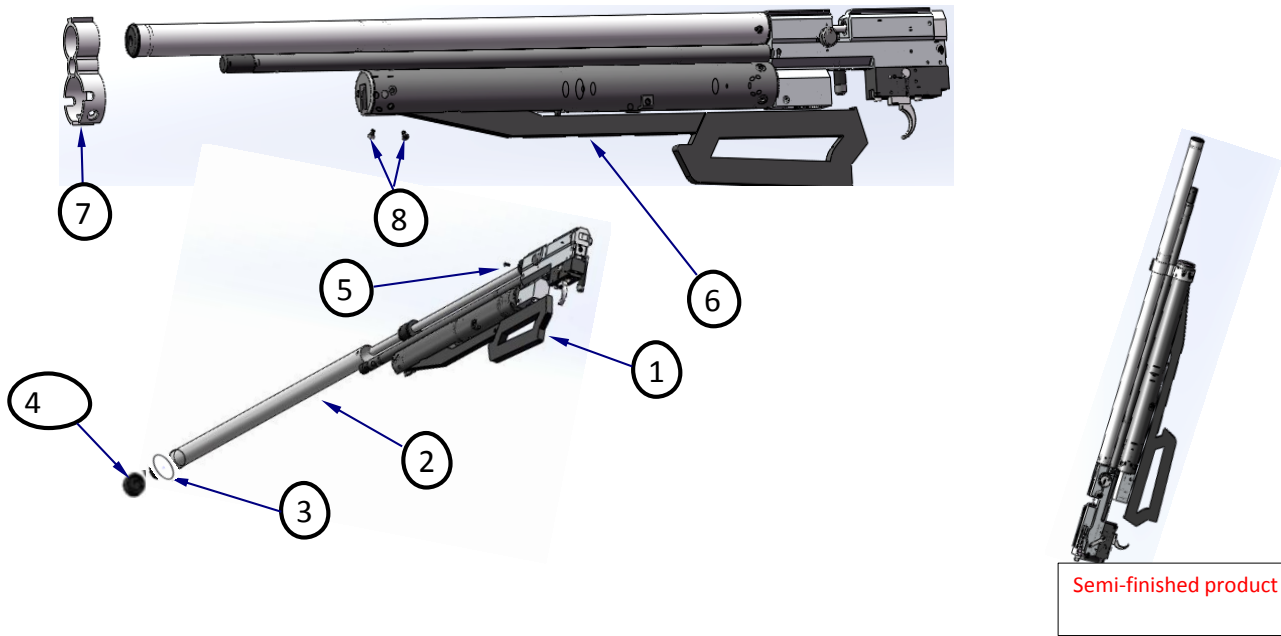


Semi-finished product

NO	DESCRIPTION	ITEM CODE	USE QTY	REMARKS
4	Air release valve stem	/	1	
5	Air release valve spring (P1/P2)	000P2-101-W-02	1	
6	Air chamber extension tube semi-finished product	/	1	
7	Air chamber extension tube rear pin	000P2-047-W-00	1	
8	Air chamber extension tube baffle	000P2-048-W-00	1	
9	O-ring $\phi 8 \times \phi 2$ hardness 90°	000P2-065-X-00	1	
10	Pressure gauge P2	000P2-001-U-01	1	
11	Bearing steel ball	000P2-206-W-00	1	
12	Flat point allen screw M6×5	000P2-189-W-00	1	
13	Safety valve 5K	000P2-210-W-00	1	

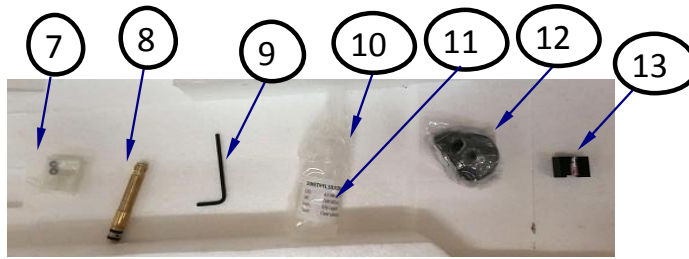


NO	DESCRIPTIONS	ITEM CODE	USE QTY	REMARKS
1	Shroud barrel front support sleeve	000P2-003-S-01	1	
2	NBR o-ring $\phi 3 \times 23$ hardness 70°	000P2-028-X-00	2	
3	Shroud barrel rear support sleeve	000P2-004-S-00	1	
4	NBR o-ring $\phi 3 \times 23$ hardness 70°	000P2-028-X-00	1	
5	Inner barrel (6.35mm)	000P1-080-W-00	1	
6	Shroud barrel rear support sleeve semi-finished product	/	1	
7	Shroud barrel front support sleeve semi-finished product	/	1	
8	Cone point allen screw M4×6×120° (cone)	000P2-036-W-00	2	
9	Inner barrel semi-finished product	/	1	
10	NBR o-ring $\phi 1.5 \times 11$ hardness 90°	000P2-008-X-00	3	
11	Gun body semi-finished product	/	1	
12	Cone point allen screw M5×8×120° (cone)	000P2-038-W-00	2	
13	NBR o-ring $\phi 1.5 \times 5.5$ hardness 90°	000P2-030-X-00	1	
14	Cone point allen point M6×6×120° (cone)	000P2-039-W-00	1	



Semi-finished product

NO	DESCRIPTIONS	ITEM CODE	USE QTY	REMARKS
1	Gun body semi-finished product	/	1	
2	Shroud barrel	000P2-035-W-00	1	
3	NBR o-ring $\phi 22 \times 1$ hardness 90°	000P2-013-X-00	1	
4	Shroud barrel front plug	000P2-002-S-00	1	
5	Flat head allen screw M3×5	000P2-032-W-00	1	
6	Gun body semi-finished product	/	1	
7	Big tube front bracket	000P2-027-W-00	1	
8	Flat head allen screw M5×10	000P2-002-W-00	2	



NO	DESCRIPTIONS	ITEM CODE	USE QTY	REMARKS
7	NBR o-ring $\phi 5.5 \times 1.5$ hardness 90°	000P2-030-X-00	2	
8	Fill probe P2	/	1	
9	Allen wrench 2.5mm	000P2-128-W-00	1	
10	Oil bottle P2 (containing oil)	000P2-010-B-00	1	
11	Oil bottle label	000P2-010-B-01	1	
12	Magazine	000P2-056-Z-00	2	
13	Single shot tray	/	1	